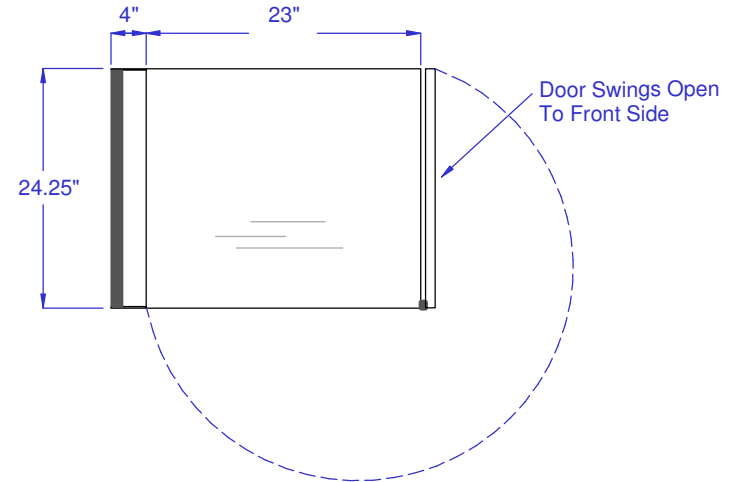
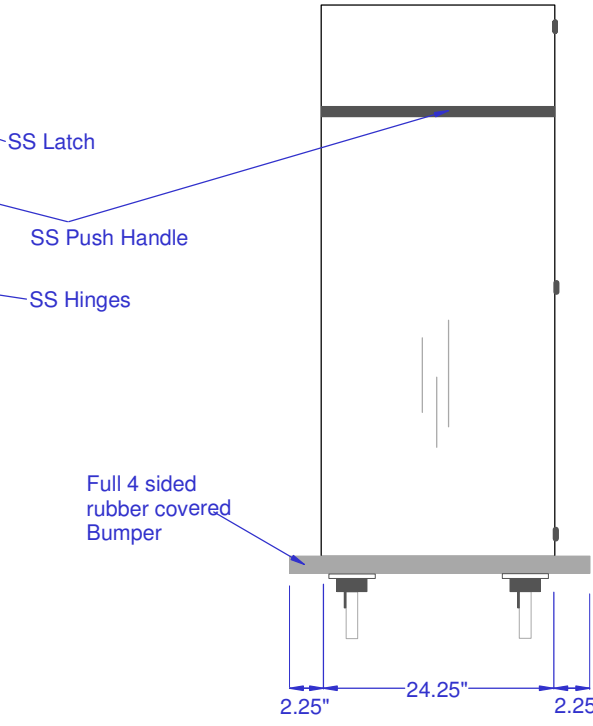
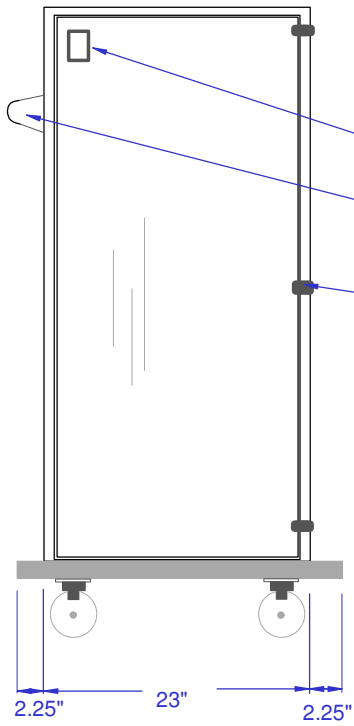





Side View

Back View

Top View



Approval: \_\_\_\_\_  
 Date: \_\_\_\_\_

|   |   |                  |                        |   |                              |
|---|---|------------------|------------------------|---|------------------------------|
| <br><b>Automated Technologies, LLC</b>   | <b>Approvals</b><br>Drawn By<br>J. Lamb<br>Approved By<br>N/A                   |                  | <b>Date</b><br>2/16/11 |   | GAT-CASE-CRT-2324.2547-SS-ST |
|   | <b>TITLE</b><br>SS Case cart<br>SS Hardware<br>6" Casters<br>Wrap Around Bumper |                  |                        | <b>Material:</b><br>SS 304 #3 16 Ga.            |                              |
| <b>PROPRIETARY</b><br><small>THIS DOCUMENT AND THE DATA DISCLOSED HEREIN OR HERewith IS NOT TO BE REPRODUCED, USED OR OTHERWISE DISCLOSED IN WHOLE OR IN PART TO ANYONE WITHOUT THE WRITTEN AUTHORIZATION FROM G2 AUTOMATED TECHNOLOGIES, LLC</small> |   |                  |                        |   |                              |
| <b>SIZE</b><br>N/A  |   | <b>CAGE CODE</b> |                        | <b>DWG NO</b><br>GAT-CASE-CRT-2324.2547-Overall |                              |
| <b>SCALE</b>  |   | <b>REV</b>       |                        | SHEET 1-0                                       |                              |

A4

